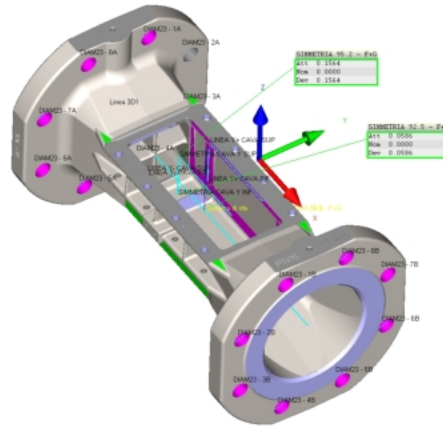


Part name [REDACTED]
 Drawing number [REDACTED]
 Order number 2200080 02/05/[REDACTED]
 Variant [REDACTED]
 Company [REDACTED]
 Department [REDACTED]
 Tipo CMM ACCURA_2
 No. CMM [REDACTED]
 Operator Master
 Text [REDACTED]

Last 1 measurements
 ► Approval ≠ Blocked
 Part ident 1
 Time/Date [REDACTED]
 Run Tutte le Caratteristiche
 No. measured values 51
 No. values: red ● 1
 Durata Misurazione 00:00:59,0

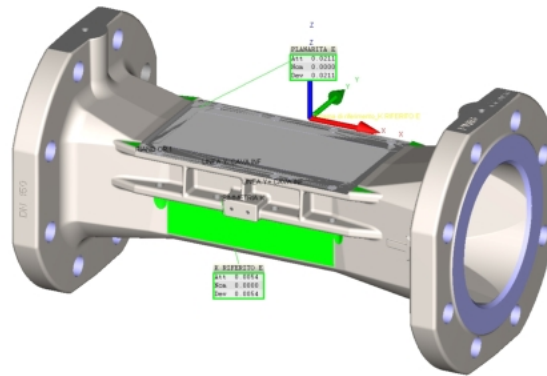
Name	Measured value	Nominal value	Toll+	Toll-	Deviazione +/-
≡ SIMMETRIA 95.2 - F+G	0,1564	0,0000	0,2000	0,0000	0,1564
≡ SIMMETRIA 92.5 - F+G	0,0586	0,0000	0,2000	0,0000	0,0586

📁 SIMMETRIE



▭ PLANARITA E	0,0211	0,0000	0,1000	0,0000	0,0211
⊥ K RIFERITO E	0,0054	0,0000	0,1000	0,0000	0,0054

📁 PIANO E



⊥ H RIF A G	0,1256	0,0000	0,2000	0,0000	0,1256
⊥ H- RIF A G	0,0877	0,0000	0,2000	0,0000	0,0877
⊥ H RIF A F	0,2030	0,0000	0,2000	0,0000	0,2030 0,0030